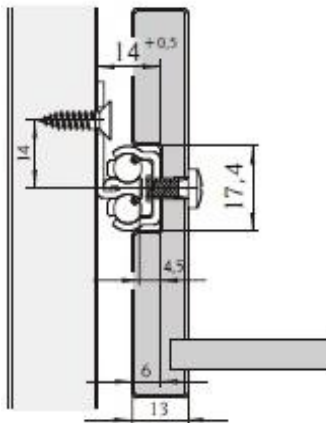
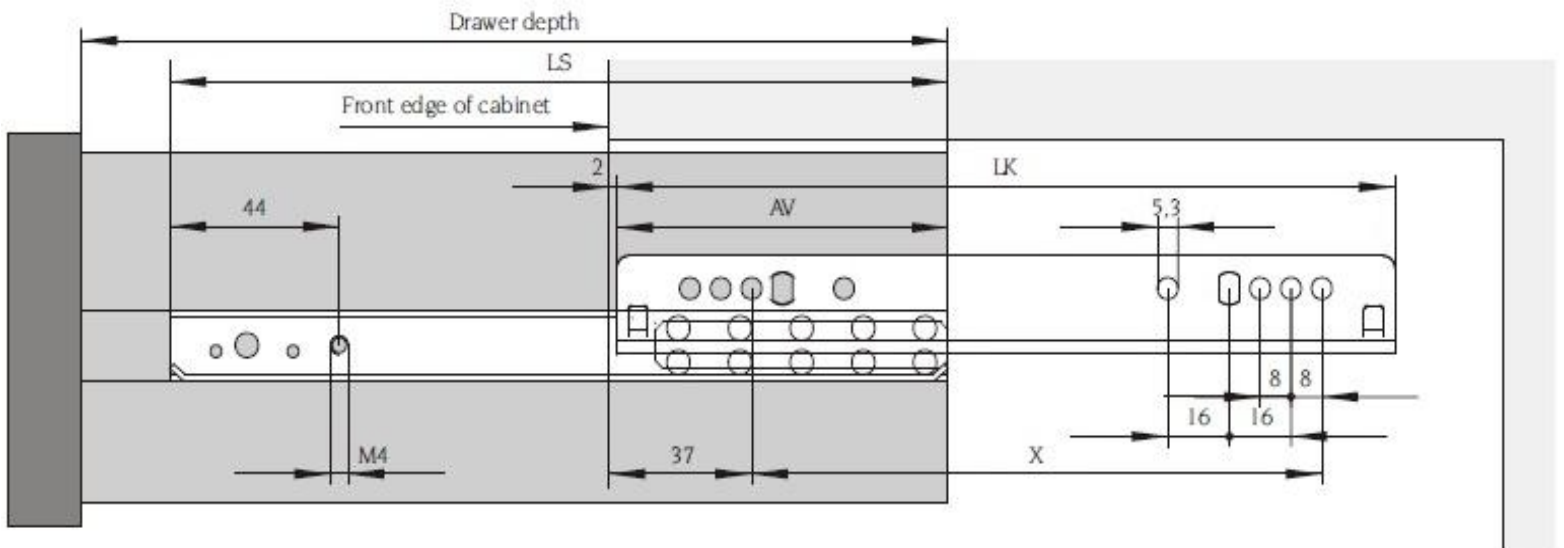




- Load capacity up to 35 kg
- for 17 mm groove
- Smooth movement and high lateral stability
- Material of slide rails: hot-dip galvanized steel
- Material of ball cages: plastic
- Material of balls: hardened carbon steel



Drawer depth from - to [mm]	Length of drawer rail LS [mm]	Length of cabinet rail LK [mm]	Loss of extension AV [mm]	X [mm]	Article No.
246 - 320	246	214	84	160	061.17720
310 - 432	310	278	100	224	061.17722
406 - 608	406	374	116	320	061.17725

other lengths on request